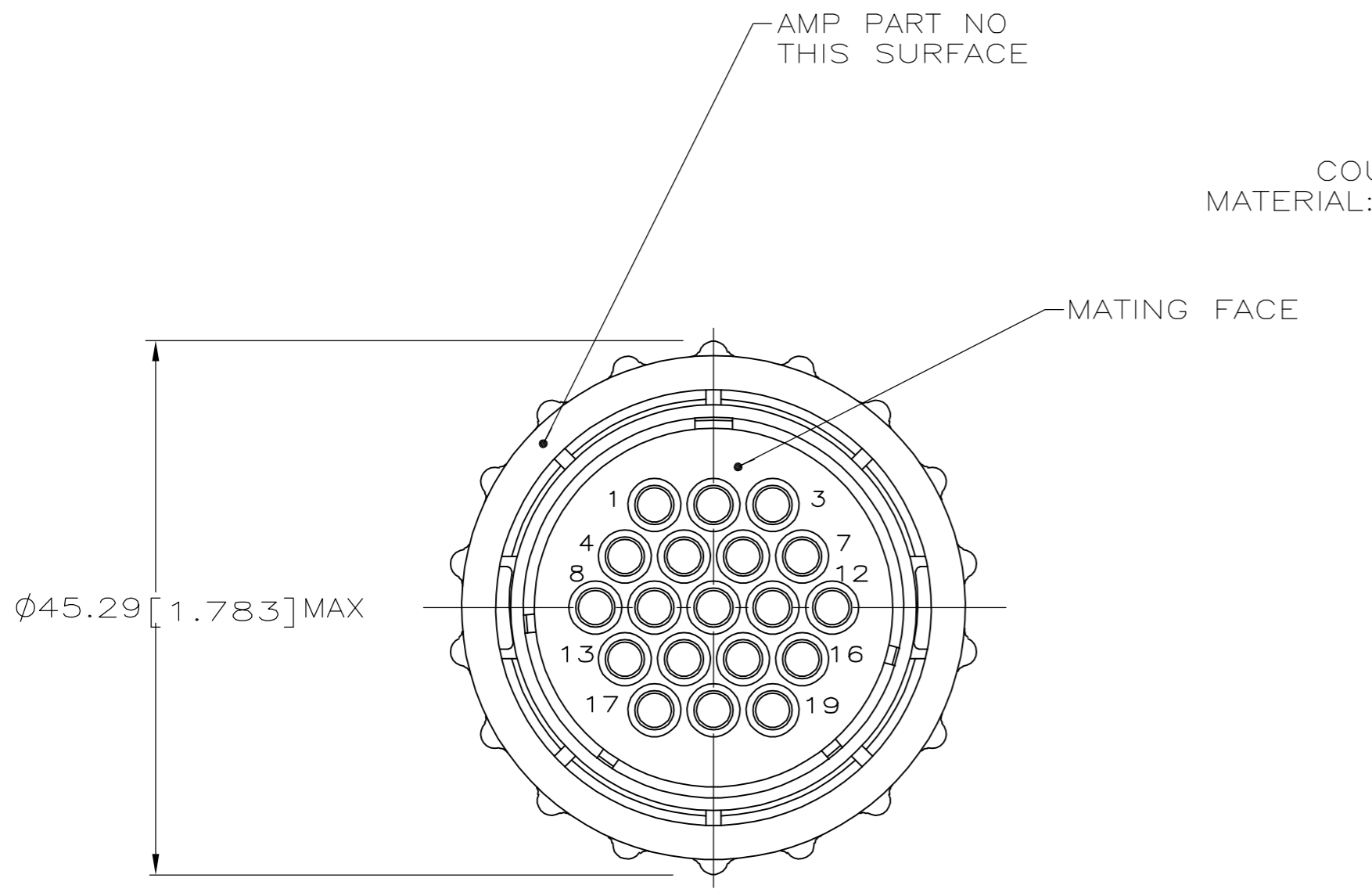


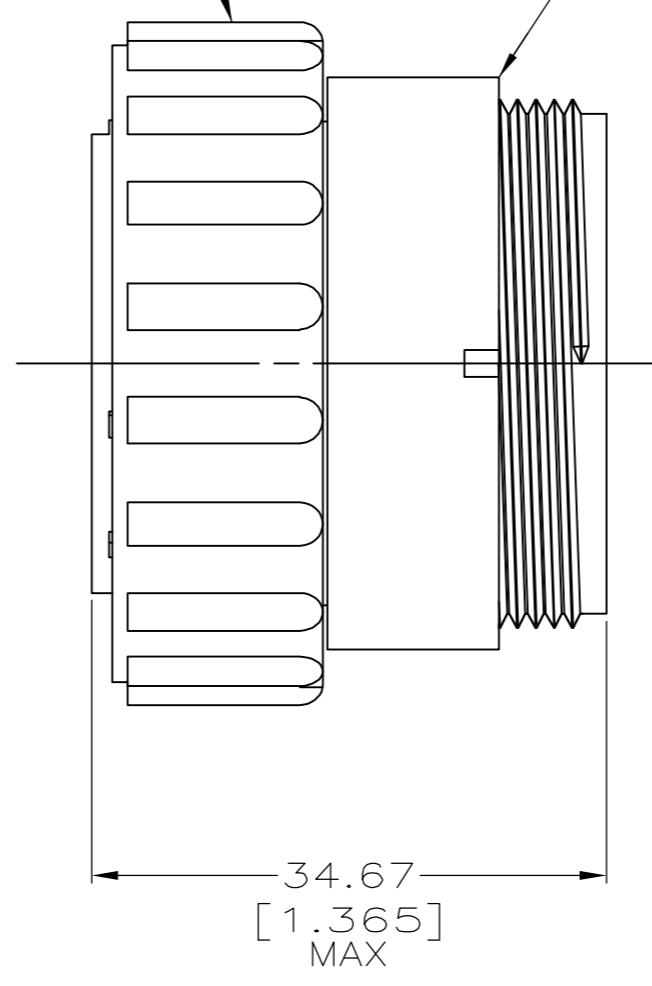
THIS DRAWING IS UNPUBLISHED. RELEASED FOR PUBLICATION
 © COPYRIGHT BY TYCO ELECTRONICS CORPORATION. ALL RIGHTS RESERVED.

| LOC | | DIST | | REVISIONS | | | |
|-----|-----|-------------|------------------------|-----------|-----|------|--|
| P | LTR | DESCRIPTION | | DATE | DWN | APVD | |
| FT | 0 | E1 | REVISED PER ECO-05-675 | 8/30/05 | SS | SH | |

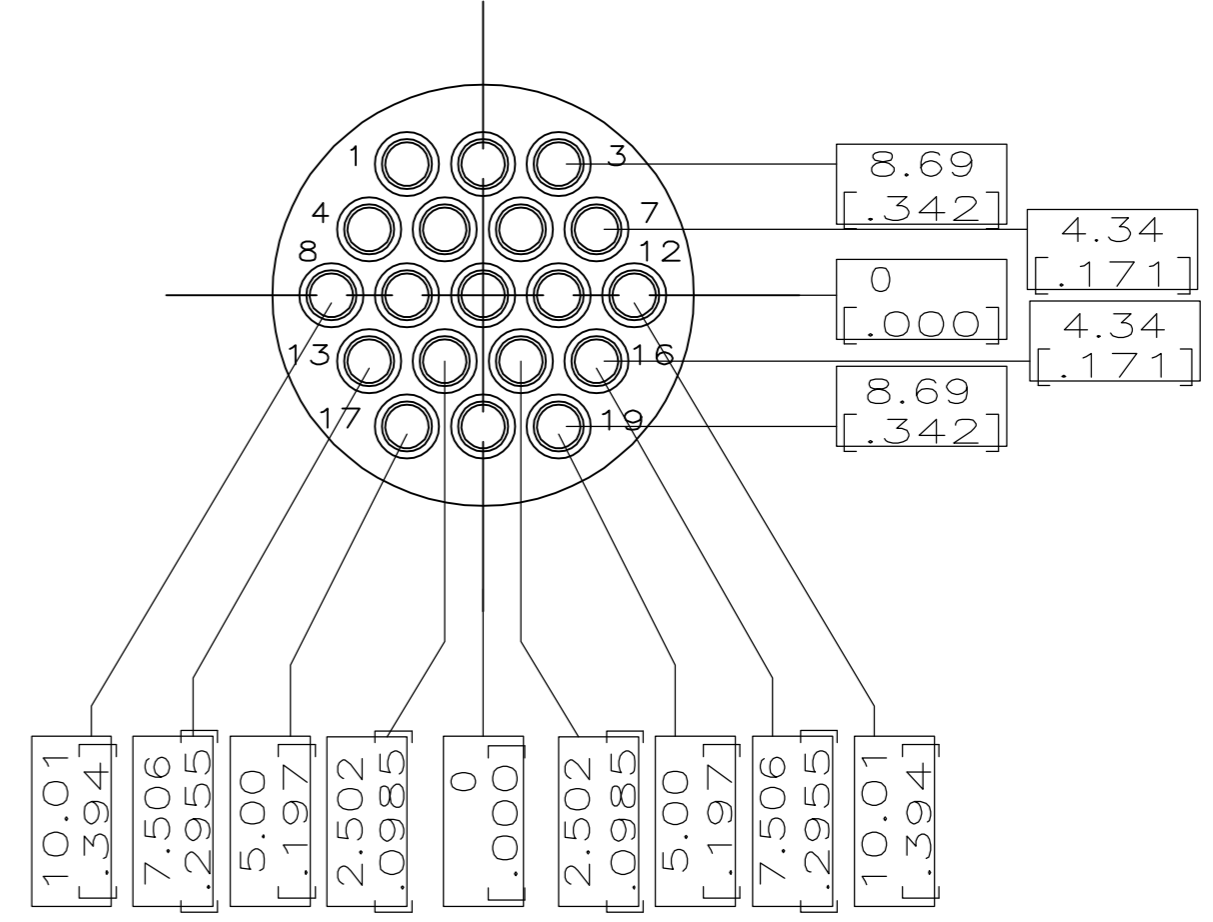


(-1 & -4 ONLY)

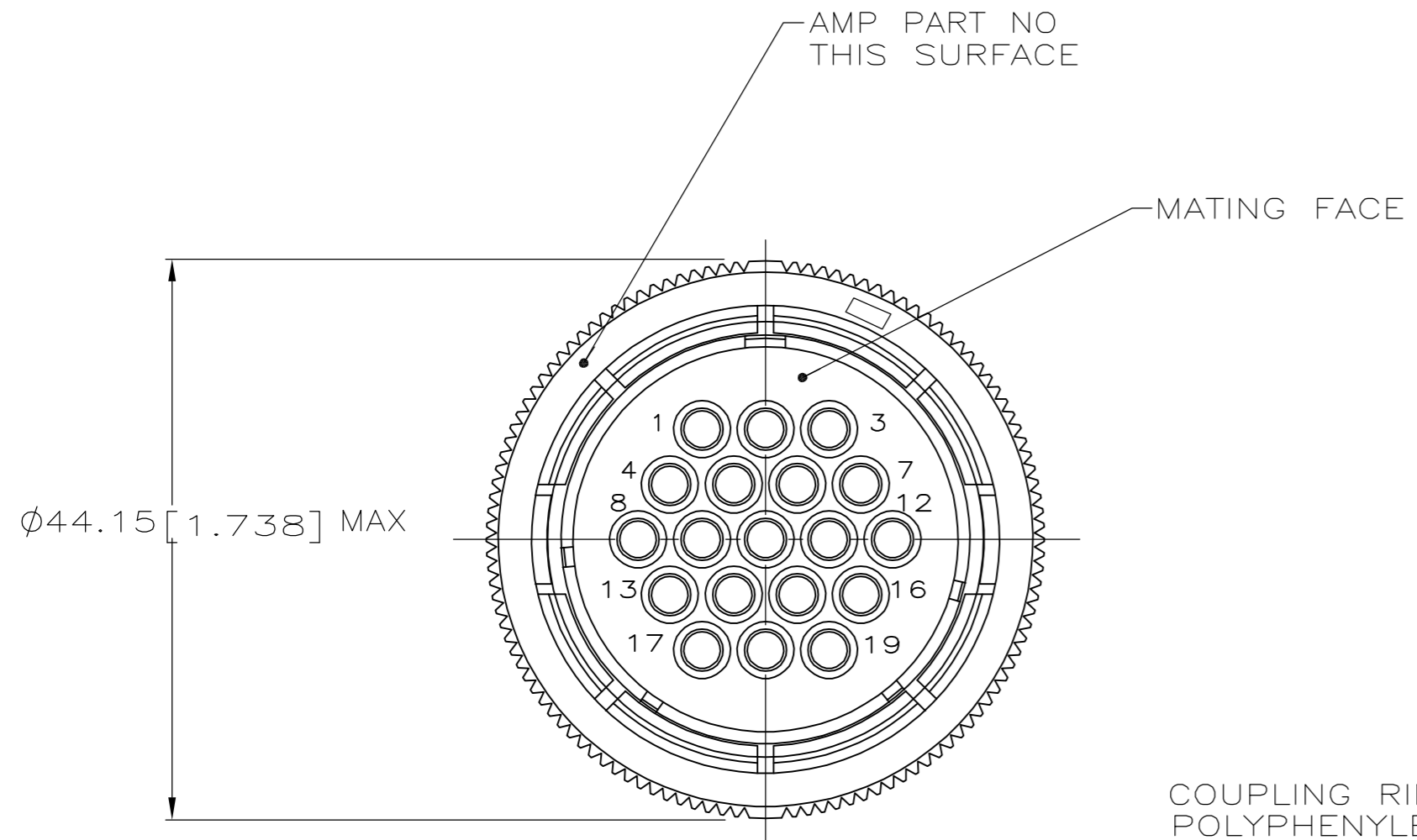
COUPLING RING MATERIAL: SEE TABLE



PLUG HOUSING NYLON 6/6, GLASS FILLED, BLACK

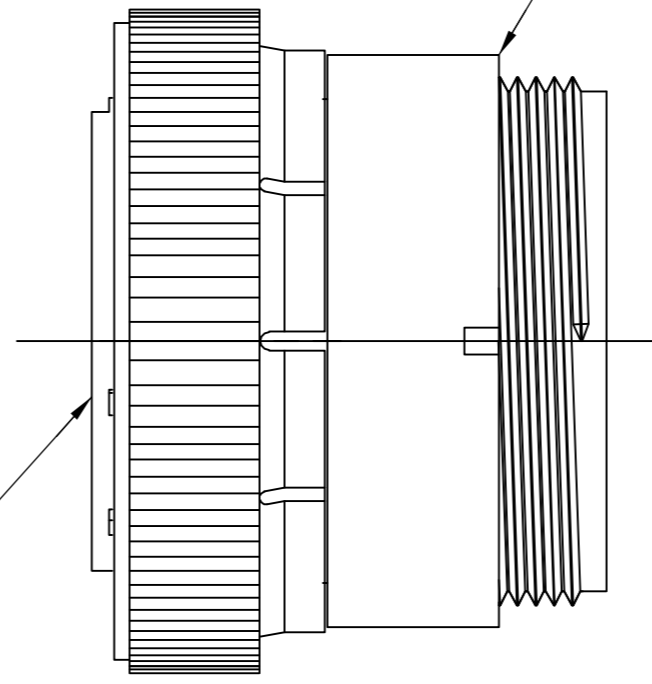


MATING FACE CONFIGURATION



(-3 ONLY)

COUPLING RING POLYPHENYLENE, BLACK



PLUG HOUSING NYLON 6/6, GLASS FILLED, BLACK

- CONTACT CAVITIES IDENTIFIED BY CHARACTERS ON FRONT AND REAR FACES OF CONNECTOR.
- THIS PART WILL ACCEPT 19 MULTIMATE PIN CONTACTS.
- NORMAL KEYING.

| | |
|------------------------|-------------|
| DIE CAST ZINC | 211772-4 |
| POLYESTER, BLACK | 211772-3 |
| POLYESTER, BLACK | 211772-1 |
| COUPLING RING MATERIAL | PART NUMBER |

| | | | |
|--|--|--------------------------|---|
| THIS DRAWING IS A CONTROLLED DOCUMENT. | | DWN S. RIDGLEY 31 JUL 90 | Tyco Electronics Corporation Harrisburg, PA 17105-3608 |
| DIMENSIONS: mm [INCHES] | | CHK R. STONE 26 APR 91 | |
| TOLERANCES UNLESS OTHERWISE SPECIFIED: | | APVD K. BEAVER 03 APR 91 | NAME |
| 0 PLC ± - | | PRODUCT SPEC | PLUG ASSEMBLY, SHELL SIZE 23, REVERSE SEX, SPECIAL VDE, CPC |
| 1 PLC ± - | | APPLICATION SPEC | 108-10024 |
| 2 PLC ± - | | WEIGHT | - |
| 3 PLC ± - | | SIZE | A2 |
| 4 PLC ± - | | CAGE CODE | 00779 |
| ANGLES ± - | | DRAWING NO | C=211772 |
| FINISH | | RESTRICTED TO | - |
| MATERIAL | | CUSTOMER DRAWING | SCALE 2:1 SHEET 1 of 1 REV E1 |